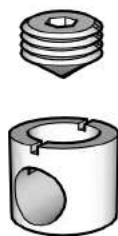


L45 D10

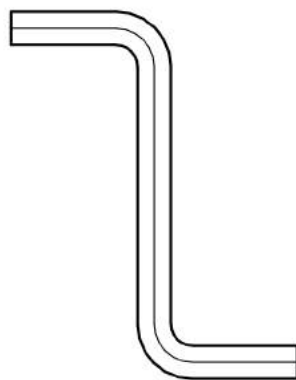
x8



x4



x4



x2

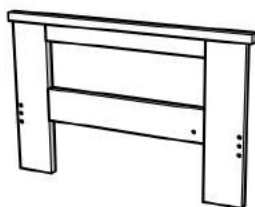
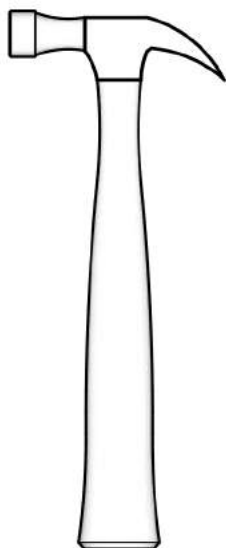


x2



M6x50

x4



x2



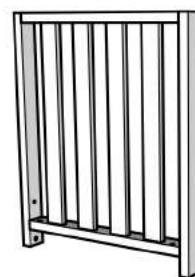
x1



x1

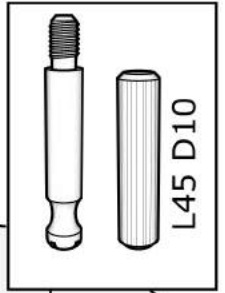
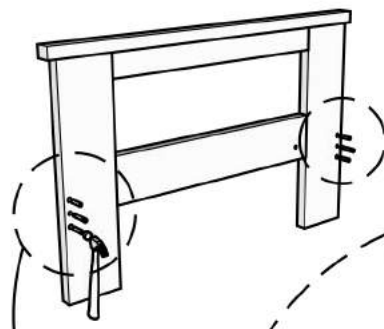
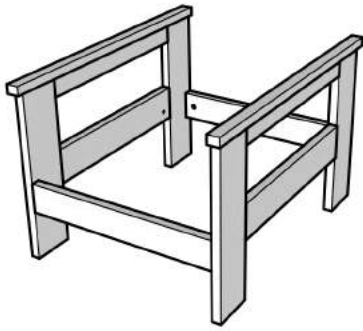


x1



x1

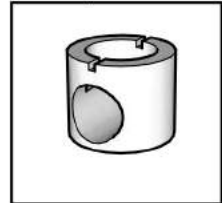
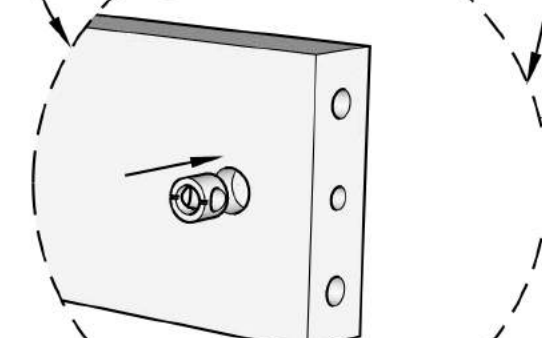
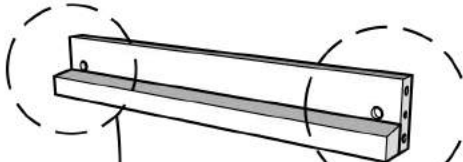
1



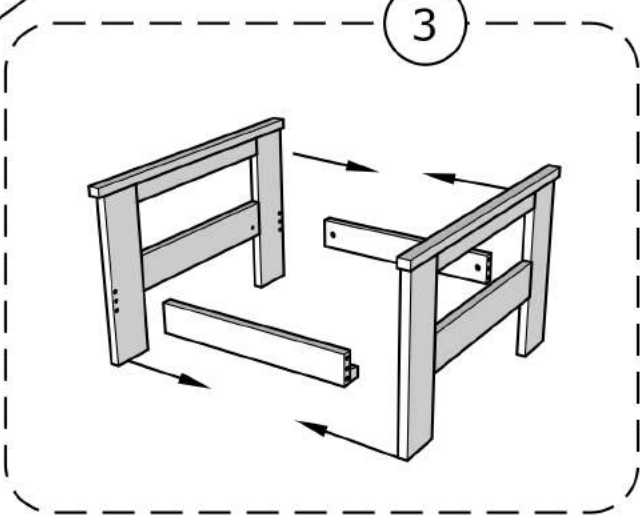
1



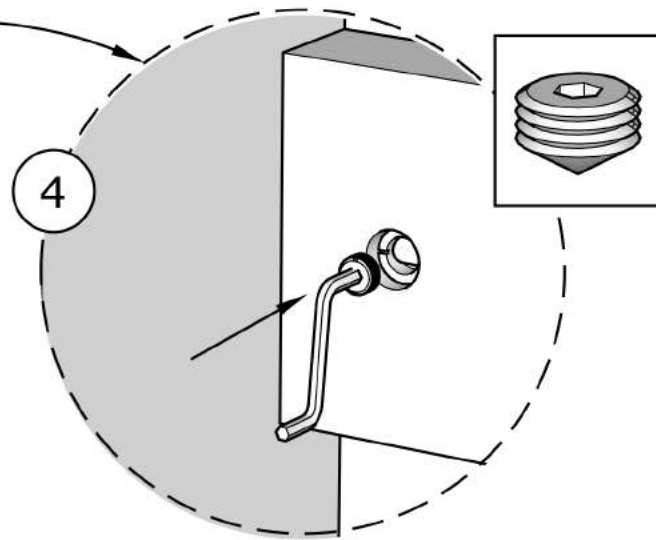
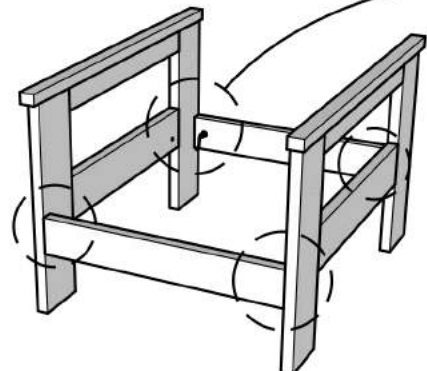
2



3



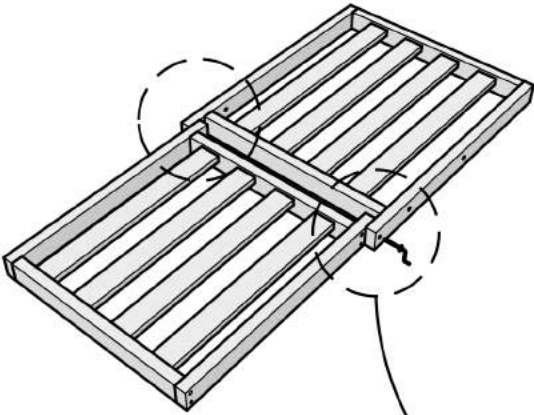
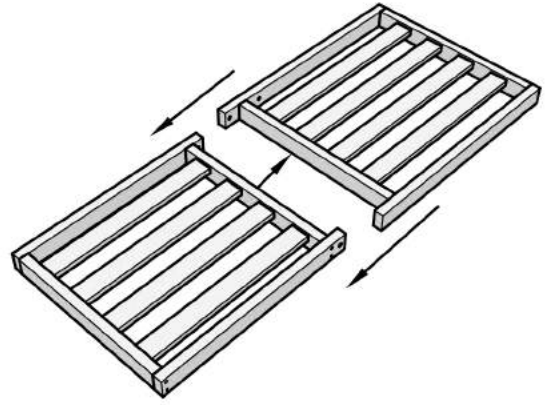
4



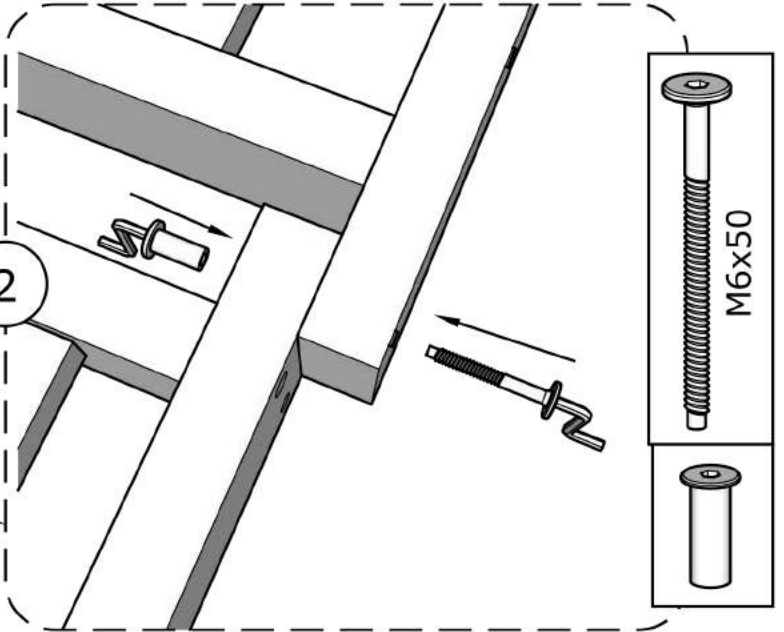
2



1



2



3

